



INSTALLATION INSTRUCTIONS FOR PART 82-3010

APPLICATIONS

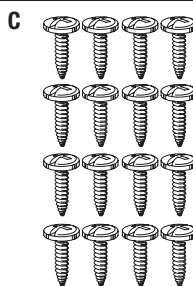
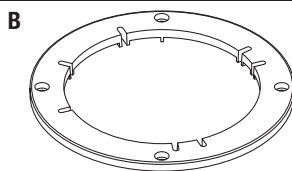
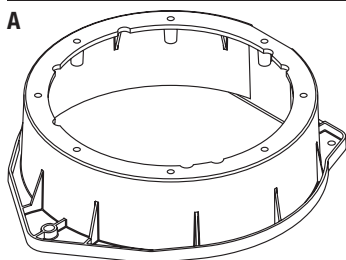
Chevy Camaro 2010-up 82-3010

KIT FEATURES

- Provides spacing for aftermarket speaker installation

KIT COMPONENTS

- A) (2) Base Plates • B) (2) Ring Mounts • C) (16) #8 x 3/4" Phillips Screws

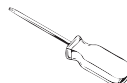
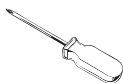
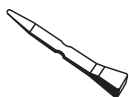


WIRING & ANTENNA CONNECTIONS (sold separately)

Wiring Harness: • 70-5600 Ford/GM speaker plug

TOOLS REQUIRED

- Panel removal tool • Phillips screwdriver • 10 mm socket wrench • Torx screwdriver



METRA. THE WORLD'S BEST KITS.™



1-800-221-0932



metraonline.com

© COPYRIGHT 2004-2011 METRA ELECTRONICS CORPORATION

REV. 7/30/2012 INST82-3010



82-3010

Table of Contents

Door Panel Disassembly

– Chevy Camaro 2010-up.....3-4

Kit Assembly

– Chevy Camaro 2010-up..... 5

CAUTION: Metra recommends disconnecting the negative battery terminal before beginning any installation. All accessories, switches, and especially air bag indicator lights must be plugged in before reconnecting the battery or cycling the ignition.

Note: Refer to the instructions included with the aftermarket radio.



KNOWLEDGE IS POWER

Enhance your installation and fabrication skills by enrolling in the most recognized and respected mobile electronics school in our industry. Log onto www.installerinstitute.com or call 800-354-6782 for more information and take steps toward a better tomorrow.

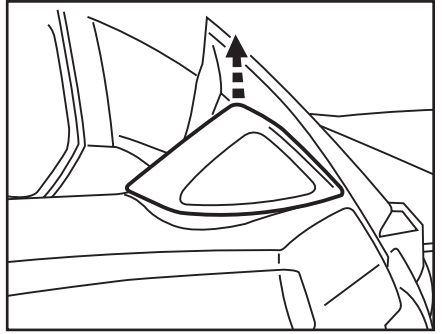


Metra recommends MECP certified technicians

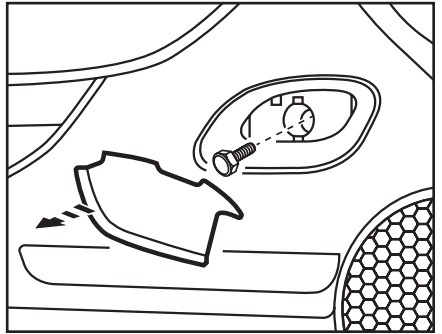
Chevy Camaro 2010-up

1. Unclip and unplug the tweeter pod on the top of the door panel. (Figure A)
2. Remove the door handle bolt cover plate inside the door handle latch. (Figure B)
3. Remove (1) 9/32" bolt from behind cover plate. (Figure B)
4. Remove (1) T-27 Torx bolt from inside door pull cup. (Figure C)

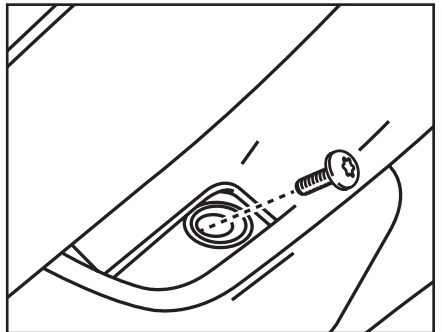
Continue on next page



(Figure A)



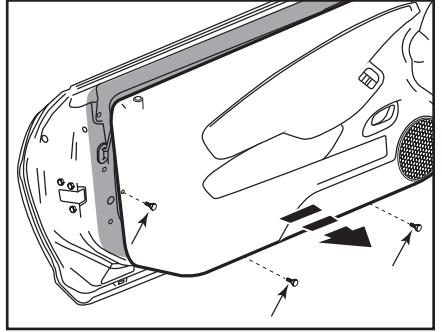
(Figure B)



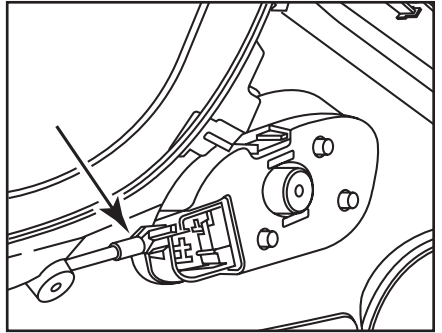
(Figure C)

Chevy Camaro 2010-up

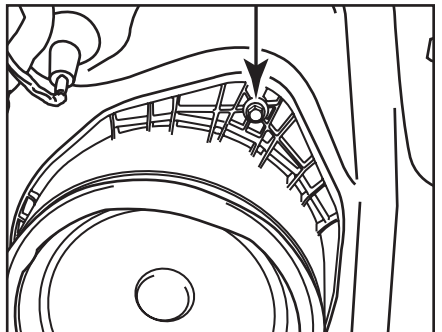
5. Remove (3) 9/32" bolts from the edge of the door panel. (Figure D)
6. Unclip and remove the panel. (Figure D)
7. Unclip the door handle release cable from the panel. (Figure E)
8. Remove (1) 9/32" bolt from the top of the speaker and pull from the top to remove the speaker from the door. (Figure F)



(Figure D)



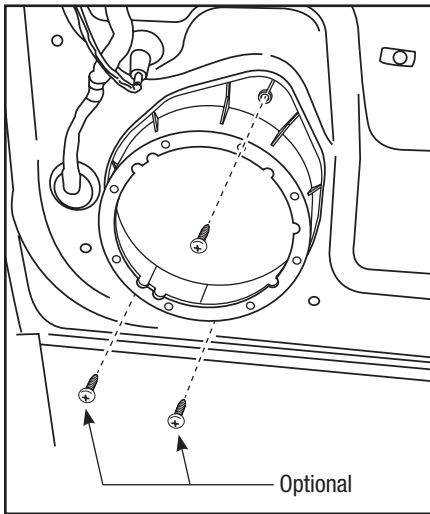
(Figure E)



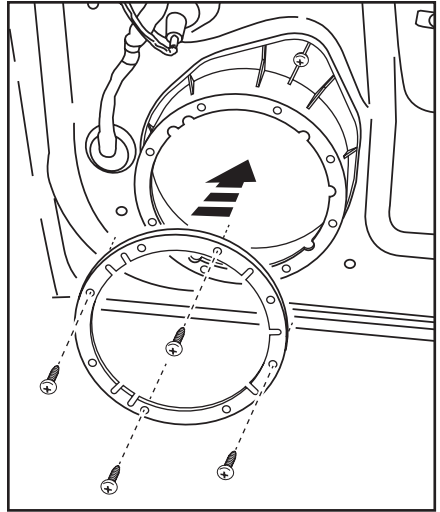
(Figure F)

Chevy Camaro 2010-up

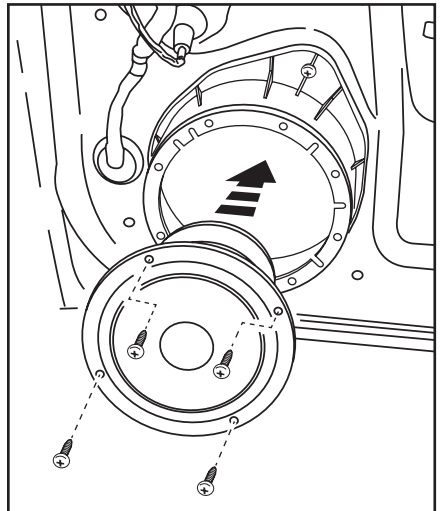
1. Mount the base plate to the panel using the factory hardware. **Note: There are (2) screw holes on the bottom clip side of the base plate for added mounting reinforcement.** (Figure A)
2. Secure the ring mount to the base plate using (4) of the supplied Phillips screws. **Note: Ring mount will only mount in one position.** (Figure B)
3. Secure the speaker to the ring mount either using the hardware supplied with the speaker or (4) of the supplied Phillips screws. (Figure C)



(Figure A)



(Figure B)



(Figure C)



INSTALLATION INSTRUCTIONS FOR PART 82-3010

REV. 7/30/2012 INST82-3010



METRA. THE WORLD'S BEST KITS.™

1-800-221-0932



metraonline.com

© COPYRIGHT 2004-2011 METRA ELECTRONICS CORPORATION