



INSTALLATION INSTRUCTIONS FOR PART 99-3107

APPLICATIONS

SATURN Astra 2008

99-3107S 99-3107G

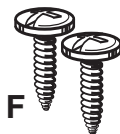
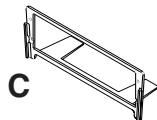
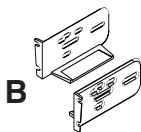
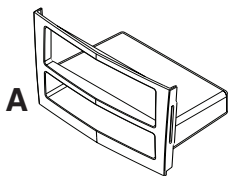
KIT FEATURES

- DIN Radio Provision With Pocket
 - ISO Mount Radio Provision With Pocket
 - Painted To Match Factory Dash
- 99-3107S = SILVER
99-3107G = GRAY



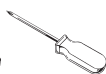
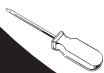
KIT COMPONENTS

- A) Trim Plate/Pocket
 - B) ISO Brackets
 - C) Radio Housing
 - D) (2) Black Oval Head Phillips Screws
 - E) (2) Silver Pan Head Phillips Screws (Small)
 - F) (2) Silver Pan Head Phillips Screws (Large)
- **NOTE: Parts "A" and "C" May Be Snapped Together In Package**



TOOLS REQUIRED:

- Small Flat Blade Screwdriver
- Panel Removal Tool
- Phillips Screwdriver
- 86-3528 Radio Removal Keys



1-800-221-0932



www.metraonline.com

© COPYRIGHT 2008 METRA ELECTRONICS CORPORATION



TABLE OF CONTENTS

Dash Disassembly

- SATURN Astra 2008 1

Kit and Final Assembly

- DIN Radio Provision With Pocket 2,3
- ISO Mount Radio Provision With Pocket 4,5

***Note:**

Refer also to the instructions included with the aftermarket radio.



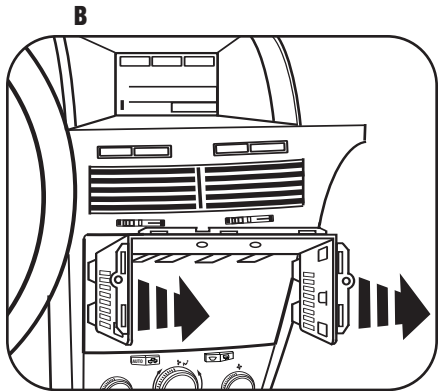
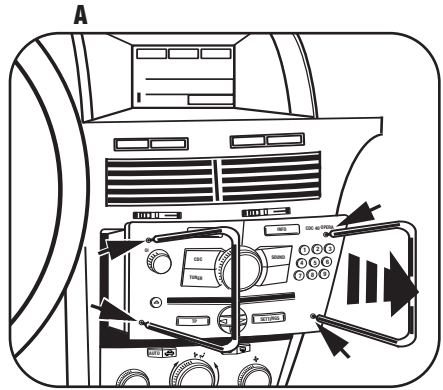
KNOWLEDGE IS POWER

Enhance your installation and fabrication skills by enrolling in the most recognized and respected mobile electronics school in our industry. Log onto www.installerinstitute.com or call 800-354-6782 for more information and take steps toward a better tomorrow.

SATURN ASTRA 2008

- 1 Disconnect the negative battery terminal to prevent an accidental short circuit.
- 2 Using the radio removal keys, pull the factory head unit from the dash and disconnect the wiring. Unplug and remove the radio. (Figure A)
- 3 Pull down on the "cage" from the opening inside on the top and remove. **Note:** The cage only has 2 sides and a top. (Figure B)

Continued to kit assembly.



DIN RADIO PROVISION WITH POCKET

**Note: Refer also to the instructions included with the aftermarket radio.*

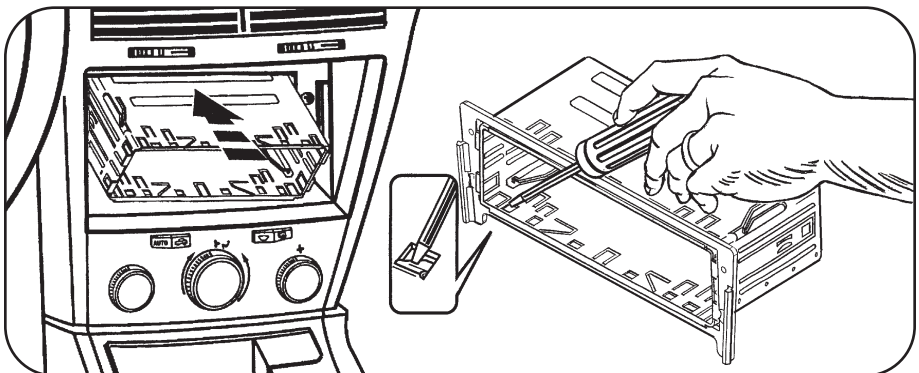
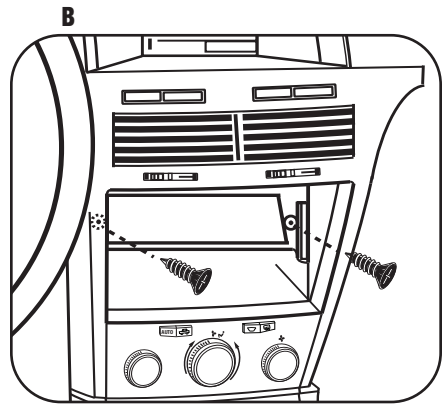
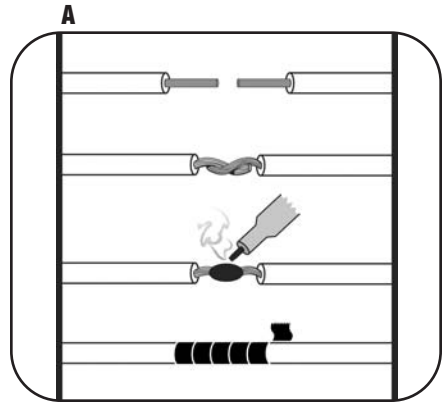
1 Locate the factory wiring harness in the dash. Use the supplied wire harnesses and make the connections as shown. (Isolate and individually tape off the ends of any unused wires to prevent electrical short circuit) (Figure A)

2 Re-connect the negative battery terminal and test the unit for proper operation.

3 Mount the radio housing into the radio opening in the sub dash using the (2) black oval head Phillips screws provided. (Figure B)

4 Slide the DIN cage into the Radio Housing and secure by bending the metal locking tabs outward. (Figure C)

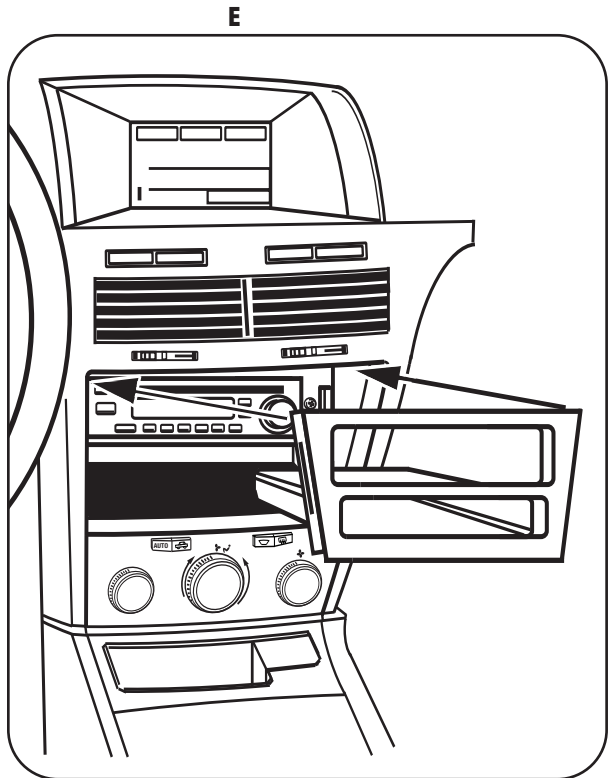
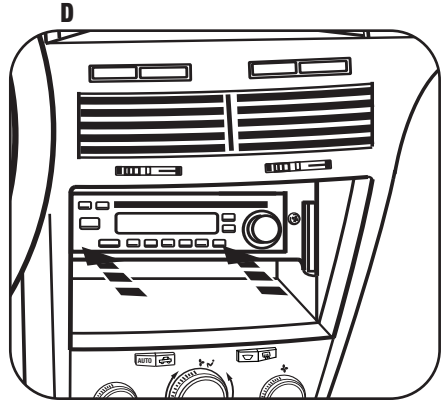
Continued on page 3.



DIN RADIO PROVISION WITH POCKET

**Note: Refer also to the instructions included with the aftermarket radio.*

- 5 Slide the aftermarket radio into the cage until it snaps into place. (Figure D)
- 6 Snap the trim plate/pocket onto the radio housing. (Figure E)

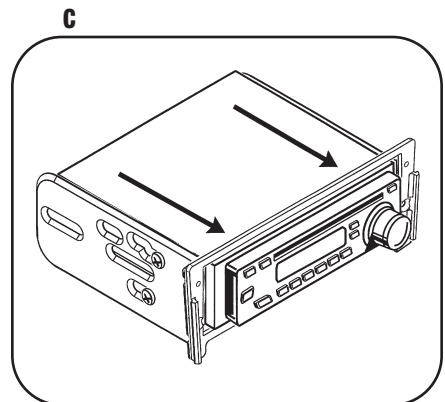
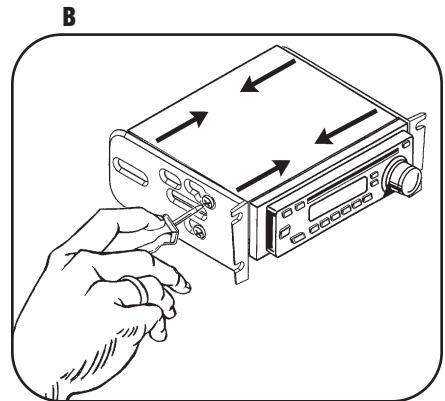
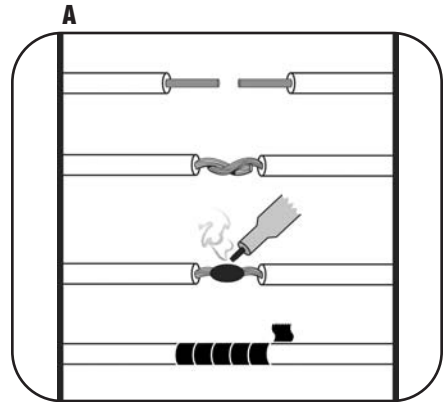


ISO MOUNT RADIO PROVISION WITH POCKET

**Note: Refer also to the instructions included with the aftermarket radio.*

- 1 Locate the factory wiring harness in the dash. Use the supplied wire harnesses and make the connections as shown. (Isolate and individually tape off the ends of any unused wires to prevent electrical short circuit) (Figure A)
- 2 Re-connect the negative battery terminal and test the unit for proper operation.
- 3 Mount the ISO Brackets to the aftermarket radio using the screws supplied with the radio. (Figure B)
- 4 Slide the the radio into the radio opening of the radio housing. (Figure C)

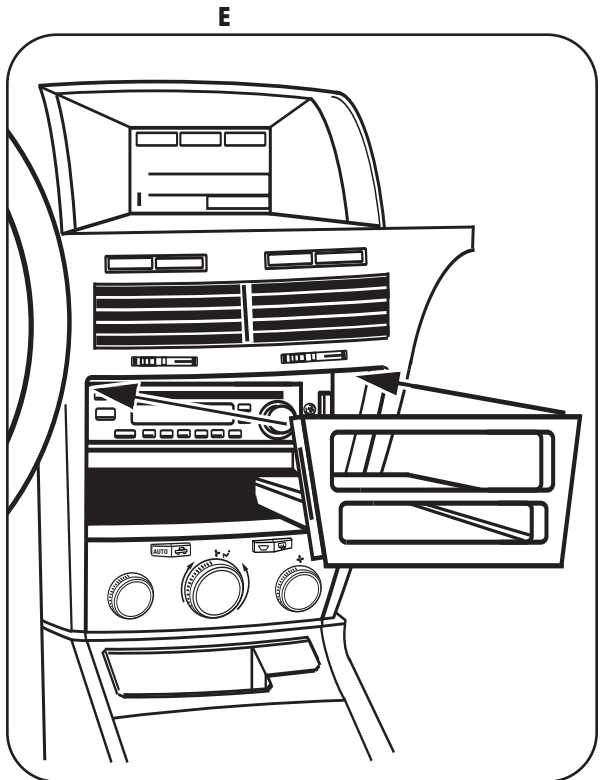
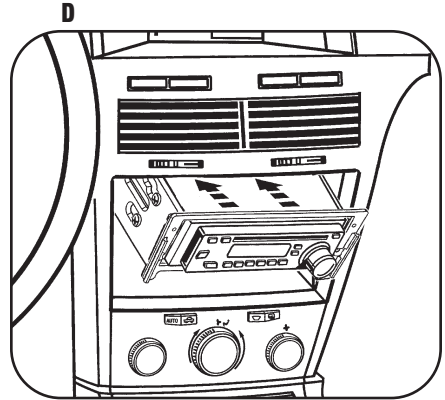
Continued on page 5.



ISO MOUNT RADIO PROVISION WITH POCKET

**Note: Refer also to the instructions included with the aftermarket radio.*

- 5 Slide the the assembly into the sub dash and secure with the supplied (4) Silver Pan Head Phillips screws (Small on top and Large on Bottom). (Figure D)
- 6 Snap the trim plate/pocket onto the radio housing. (Figure E)



99-3107 INSTRUCTIONS



1-800-221-0932



www.metraonline.com

REV. 10/28/08 © COPYRIGHT 2008 METRA ELECTRONICS CORPORATION INST99-3107