

LinTech

keeps you connected

**Bluetooth[®] Hands-Free Unit
"Basic"**

(1420D/I_P&C)

Functional description



Manual Version Feb. 2009

Table of contents

1. Introduction.....	3
1.1. Important installation information – please observe!!!	3
1.2. General.....	4
1.3. Functions of Keys	4
2. Basics	5
2.1. Packaging contents	5
2.2. Installation	5
2.2.1 Installation using cable set “VDA”	6
2.2.2 Installation using cable set “FSE”	7
2.2.3 Installation using cable set “ISO_DIN2”	8
2.3. Pairing the mobile cellular phone with the Bluetooth® hands-free unit .	9
2.4. Resetting the Bluetooth® hands-free unit	9
3. Operation – description of function	10
4. Service	11
4.1. General.....	11
4.2. Status of hands- free unit	11
4.3. Overview of specifications.....	12

1. Introduction

This installation manual has been drawn up to provide you with the basic information required for installing your hands-free unit. The information in these instructions is of a general nature, as different types and models of vehicles require different methods of installation.

The warranty clauses state that the Bluetooth® hands-free unit may only be installed by authorised specialists. The installation of the Bluetooth® hands-free unit requires specialist knowledge and should therefore **not** be performed by the end user alone without professional help.

We ask that you also refer to your telephone's operating instructions for information regarding the functioning, care and maintenance of your telephone and important safety information.

Please note: prior to installation please read the "Important installation information" section below!

1.1. Important installation information – please observe!!!

1. Ensure the vehicle's battery is NOT connected before you commence installation and connect the battery again only after completing the installation.
2. Do NOT smoke or use naked flame in the vicinity of the fuel pipes.
3. Ensure electric cables, hydraulic connections; fuel pipes and safety equipment connections of the vehicle are not damaged during installation.
4. Ensure the normal control functions and functioning of the vehicle are NOT negatively affected, particularly the brakes and steering. Also make sure that the airbag function is not impaired in any way. (Ensure the cable of the hands-free adapter does not touch any moving parts and is positioned as far away as possible from the electronics of the vehicle).
5. The vehicle electronics and other complex systems (e.g. speed control, ABS, petrol, navigation and airbag systems) are relatively well safeguarded against any malfunctions that could occur as a result of radio waves. Nevertheless, you should check the function of all these systems and, in the case of doubt, immediately have them inspected by a specialist garage.

6. The universal Bluetooth® hands-free unit “Basic” is intended for use in the range 11V to 16V (24V with an special adapter cable). Utilisation with other input voltages or polarities will damage your vehicle’s equipment.
7. The mobile should not be connected to the Bluetooth® hands-free unit for a longer period of time when the engine is switched off. This can drain the vehicle’s battery.
8. Electronic box must be connected to ignition by blue cable to insure perfect functionality of Bluetooth hands-free unit.

1.2. General

The hands-free unit is designed as an independent hands-free adapter. It is directly connected to the vehicle’s electrical system and your mobile no longer requires a mobile holder.

Since the mobile telephone registers with the adapter completely automatically, it is possible to keep the telephone anywhere within a 20 metre radius at all times; it can also be kept in its pouch, on a belt clip or in the car boot. Wherever you are, you can always make your calls safely and comfortably with Bluetooth®.

The hands-free unit is equipped with a special DSP processor for effective echo and noise attenuation. This results in an excellent sound and transmission quality.

1.3. Functions of Keys



- - Accept call
- - Private mode
- ◀ - Voice dial
- ◀ - Softer
- ▶ - Redial
- ▶ - Louder
- - End or reject call

2. Basics

2.1. Packaging contents

Carefully open the packaging and check the contents. Ensure the parts listed here are included in your package:

1. Universal Bluetooth® hands-free unit “Basic”
2. Electronic box
3. Adhesive pad for fixing the Bluetooth® hands-free unit
4. Operating instructions
5. according to your order a fitting cable set

2.2. Installation

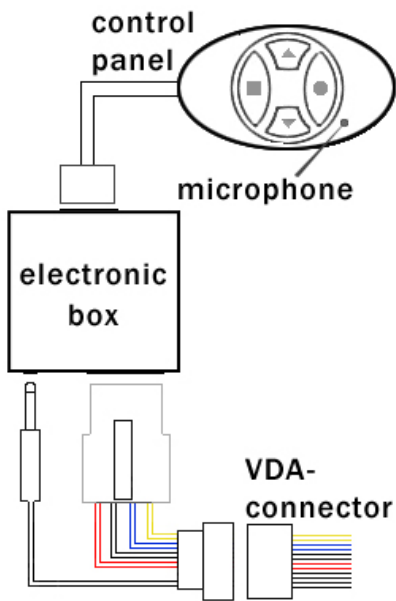
It is recommended to have the installation conducted by an authorised specialist garage.

The Bluetooth® hands-free unit “Basic” must be installed in the vehicle in accordance with the manufacturer’s installation instructions. Please observe the aforementioned important installation information!

The Bluetooth® hands-free unit should be positioned in the cockpit of the vehicle in such a way that the driver can easily access it (adhesive pad).

For reasons of safety, all cables must be connected or positioned behind the panelling.

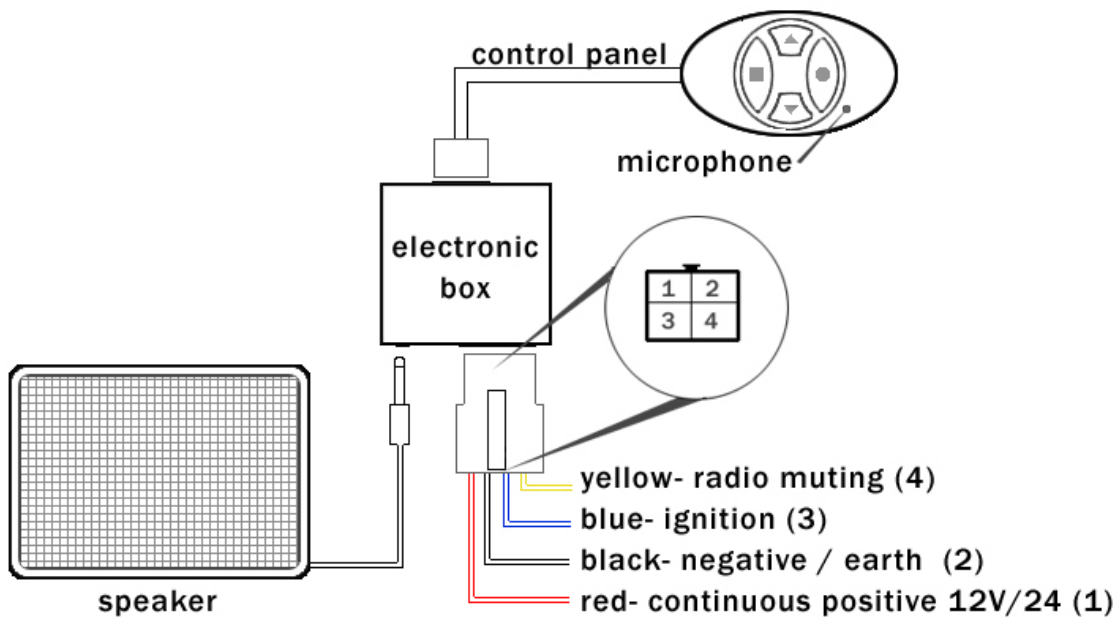
2.2.1 Installation using cable set “VDA”



The VDA adapter cable is used in place of the standard connection cable. Vehicles equipped with VDA have a VDA plug, the counterpart of which is fitted to the VDA adapter cable. It is via this VDA plug that all signals are transmitted between the vehicle and the hands-free adapter.

1. The RJ45 plug of the hands-free unit is connected to the respective jack of the electronic box.
2. You can now connect the electronic box with the VDA adapter cable to the VDA connector.

2.2.2 Installation using cable set “FSE”



1. The RJ45 plug of the hands-free unit is connected to the corresponding jack of the electronic box.

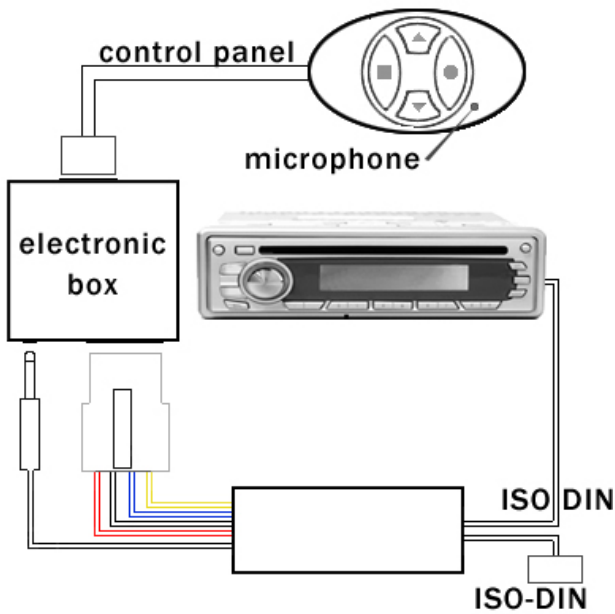
2. The speaker and cable set are now connected to the electronic box. To do this, connect the speaker (with 3.5 mm jack plug) to the appropriate jacks of the electronic box.

The speaker can be positioned in the foot area of the vehicle. The minimum distance between the microphone and the speaker should be 50 cm.

3. The necessary connections are now created using the cable set:

Black: negative / earth
Red: continuous positive 12V / 24V
Blue: ignition 12V / 24V (**definitely necessary**)
Yellow: radio muting

2.2.3 Installation using cable set “ISO_DIN2”



If your car does not have a VDA connector, but you would still like to use the internal loudspeakers, you can do this by using a switchbox (also referred to as a muting adapter)

1. The RJ45 plug of the universal Bluetooth® control panel is connected to the respective jack of the electronic box.

2. Connect the electronics unit to the ISO-DIN switchbox using the 4-pole plug (for power supply, radio mute function, ignition and

ground), and the jack plug for the loudspeakers.

3. Remove the ISO-DIN connectors from the radio (power supply and loudspeakers) plug in the labelled ISO-DIN connectors from the switchbox. The loose ISO-DIN connectors can now be connected to the free ISO-DIN connectors on the switchbox.

2.3. Pairing the mobile cellular phone with the Bluetooth® hands-free unit

To be able to operate the mobile cellular phone with the Bluetooth® hands-free unit, this must be registered on the Bluetooth® hands-free unit (the devices have to get to know each other – **pairing**).

To do this, switch on your Bluetooth® hands-free. The Bluetooth® hands-free unit is switched on by turning on the ignition.

After the very first switch-on the Bluetooth® hands-free unit is in pairing mode, i.e. the adapter waits for a pairing with a Bluetooth® mobile cellular phone.

The “search for Bluetooth® devices“ and the pairing with the Bluetooth® hands-free unit must be initiated in the menu control of the mobile cellular phone. To do this, please refer to the operating instructions for your mobile cellular phone.

During the pairing process you will be asked to enter a PIN. The PIN for the Bluetooth® hands-free unit is “**0000**”.

The successful pairing with a Bluetooth® mobile cellular phone is indicated acoustically (- *high tone* – *low tone* – *high tone* -) and the Bluetooth® hands-free unit then changes to standard mode. Now calls can be made and taken in accordance with point 3 of this description.

2.4. Resetting the Bluetooth® hands-free unit

You can completely reset (delete) the Bluetooth® hands-free unit by pressing all four keys – ● - ◀ - ▶ - ■ - at the same time. It then switches to pairing mode.

3. Operation – description of function

After switching on the Bluetooth® hands-free unit it will always automatically establish a connection to the last connected device. If this is not possible (because the first coupled device can't be found) the hands-free unit switches to pairing mode.

The keys of the Bluetooth® hands-free unit have the following functions:

Button ● :

- Accept incoming calls
- Switch to Private Mode and back when call is established

Button ■ :

- End call
- reject an incoming call

Buttons ◀ - ▶ :

- Adjust volume

Button ▶ :

This function may or may not be supported by your mobile telephone

- Automatic redial of the last dialled telephone number

Button ◀ :

This function may or may not be supported by your mobile telephone

- Commence call – activate voice-activated dialling in mobile cellular phone.

Button ● - ◀ - ▶ - ■ simultaneously:

- Reset the Bluetooth® hands-free unit
- Delete the coupled devices

With an existing Bluetooth® connection a call can either be initiated via the voice recognition of the mobile cellular phone (refer to description of mobile cellular phone) or by directly entering a telephone number.

4. Service

4.1. General

We've invested a lot of time and work in the development of the Bluetooth® hands-free unit. This applies not only to the actual development of the hardware and software components, but also to extensively testing the most varied of applications and in the most varied of environments.

You will of course appreciate that it is not possible to take into consideration every single application case.

Therefore, we ask that you contact us if you require any adaptations, additions or changes. We are more than happy to implement these in accordance with technical feasibility.

You can contact us on:

telephone: 030-54 94 72 60
fax: 030-54 94 72 44
Email: Lintech@Lintech.de

4.2. Status of hands- free unit

Illumination of Keypad	Meaning
blinking at long intervals	Hands-Free unit not connected, pairing mode
keypad permanent illuminated	Hands- Free- Mode
blinking regularly	Incoming Call / during phone conversation

4.3. Overview of specifications

Transmitting frequency	2.402 GHz to 2.480 GHz
Range	Up to 20 metres
Bluetooth PIN	0000
Housing	Anthracite housing Dimensions (LxWxH): 40x25x11.8 mm Weight: 20 Grams
Bluetooth® interface	Supported Hands-free profile Bluetooth® profiles: Transmitting power: Up to 4 dBm output
Power supply	Voltage consumption - max. power consumption 1W
Bluetooth Design ID	B00854
Authorisations	CE 0681; e1 022917 KBA as defined by 95/54-EU (motor vehicle guideline) EN 300328-2 (radio) ; EMC-EN 301489-1/-7/-17 EN 60950 (safety) ; R&TTE(EU)
Usable mobile cellular phones	Generally all mobile cellular phones with Bluetooth® hands-free profile