

# DIAMOND ANTENNA

## HRKS Adhesive Backed Antenna Mount

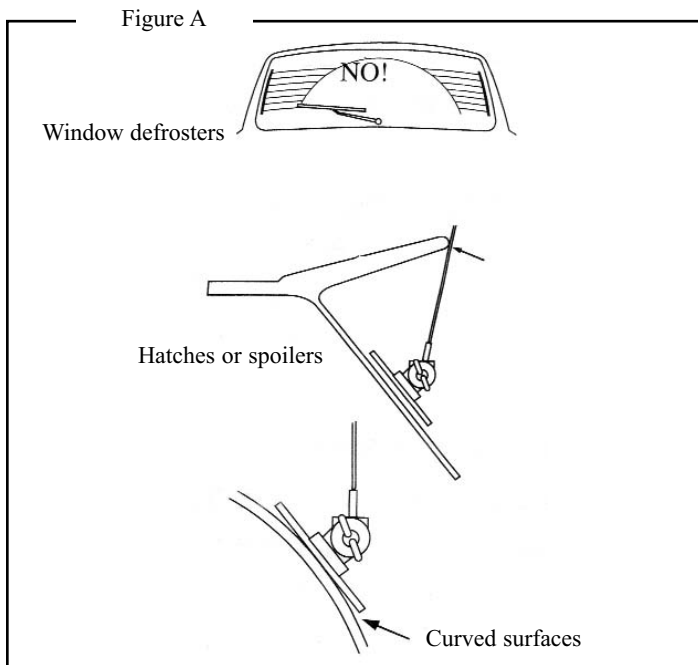
### General Specifications

- ◆ Adhesive backed for easy mounting
- ◆ UHF Mounting base, adjustable position
- ◆ Black Finish
- ◆ Power Rating: 350 Watts
- ◆ Coaxial Cable: 13.5" RG316 Teflon cable with SMA connector and PL259 adapter.

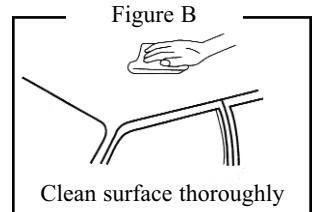
RECOMMENDED ANTENNAS: NR770HA or  
NR770HB

### INSTALLATION INSTRUCTIONS

1. Choose desired mounting location on vehicle to ensure maximum strength of mount and best performance of antenna. Location must be a flat surface preferably window, roof, or trunk lid. Avoid obstructions such as window defrosters, hatches, or air spoilers. Figure A.

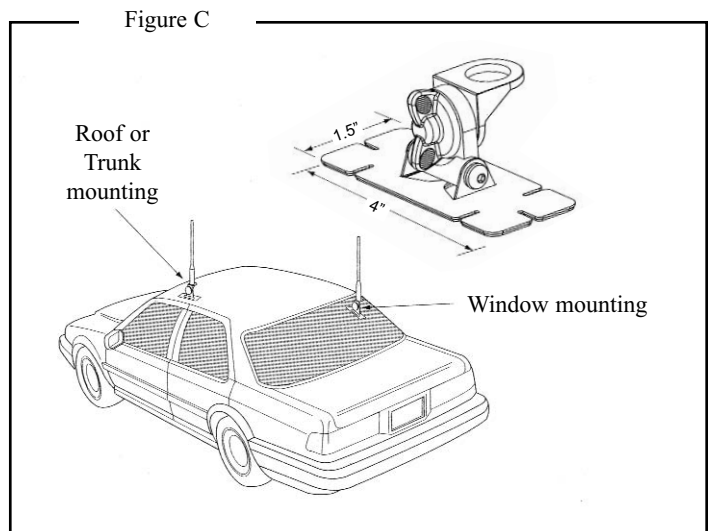


2. When desired location is determined, surface must be cleaned thoroughly to ensure proper adhesion to mounting surface. Figure B.



3. Mount must be attached with longer surface pointed to front of vehicle (Roof or Trunk mounting) or vertical (Window mounting) Figure C.

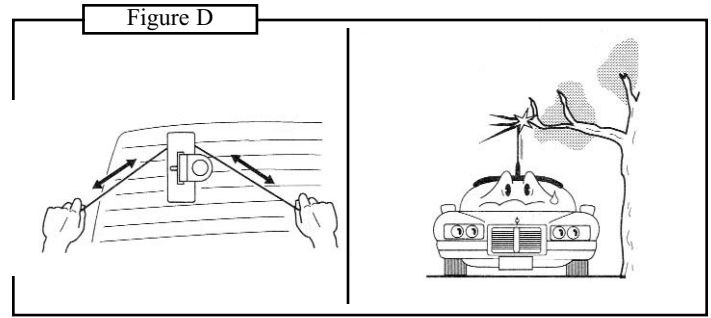
WARNING: IF MOUNTED TO VEHICLE PAINT, IT COULD REMOVE OR DISCOLOR PAINT. CHOOSE MOUNTING LOCATION CAREFULLY. DIAMOND ANTENNA IS NOT RESPONSIBLE FOR ANY VEHICLE DAMAGED BY MOUNTING TO VEHICLE PAINT.



4. Route coaxial cable from antenna mount to radio.
5. Attach connector to radio. If radio has UHF connector, assemble PL-259 adapter to cable end and attach to radio.

## REMOVING MOUNT

If it becomes necessary to remove HRK mount from vehicle, we suggest using heavy gauge fishing line to remove seal from surface of mount and vehicle. Figure D. ( NOTE: Contact Diamond Antenna customer service for reattachment kit)



## PARTS LIST

