



INSTALLATION INSTRUCTIONS FOR PART 99-7802CH

APPLICATIONS

Honda CR-V 2012-up 99-7802CH

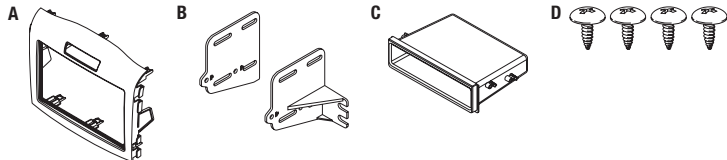
KIT FEATURES

- ISO DIN head unit provision with pocket
- *Painted Charcoal*



KIT COMPONENTS

- A) Radio Housing Trim Panel • B) Radio Brackets • C) Pocket • D) (4) #8 x 3/8" Phillips Truss-Head Screws



WIRING & ANTENNA CONNECTIONS (sold separately)

Wiring Harness: • 70-1729 Honda Harness 2008-Up

Antenna Adapter: • 40-HD11 Honda Antenna Adapter 2009-Up

TOOLS REQUIRED

- Panel removal tool • Phillips screwdriver • Socket Wrench

Table of Contents

Dash Disassembly

- Honda CR-V 2012-up 2

Kit Assembly

- ISO DIN head unit provision with pocket 3

CAUTION: *Metra recommends disconnecting the negative battery terminal before beginning any installation. All accessories, switches, and especially air bag indicator lights must be plugged in before reconnecting the battery or cycling the ignition.*

NOTE: *Refer to the instructions included with the aftermarket radio.*

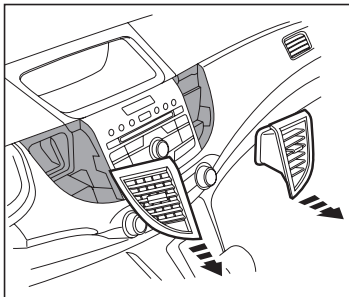


99-7802CH

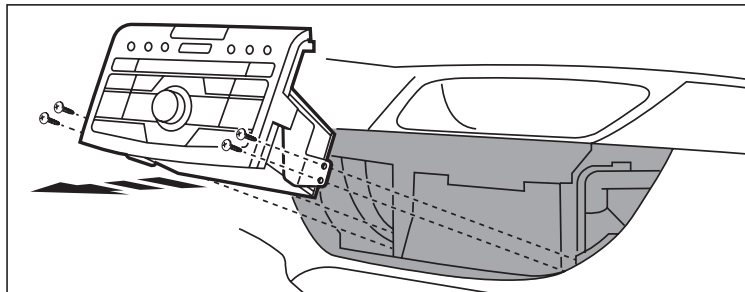
Dash Disassembly

1. Unclip and remove the a/c vents from either side of the factory radio. (Figure A)
2. Remove (4) Phillips screws securing the radio. (Figure B)
3. Remove (2) Phillips screws securing the factory hazard button to the factory radio trim panel. (Figure C)
4. Remove the (6) panel clips from the factory radio trim panel and save for Kit Assembly.

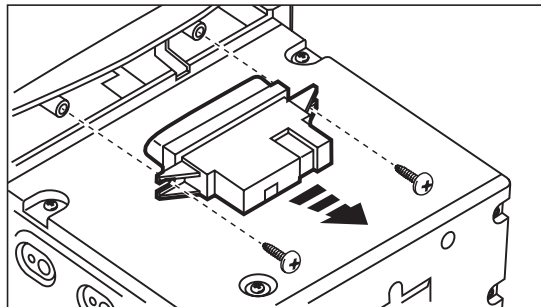
Continue to kit assembly



(Figure A)



(Figure B)



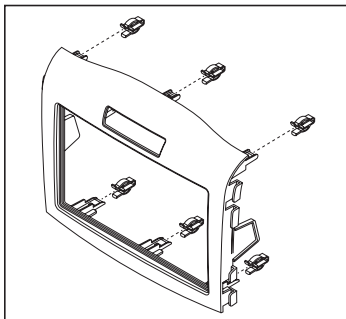
(Figure C)



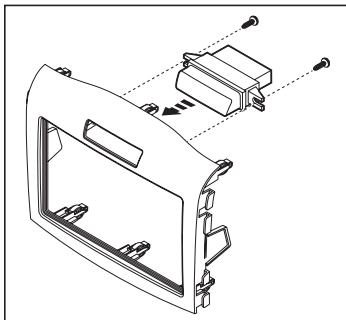
99-7802CH

Kit Assembly

1. Attach the (6) factory panel clips to the radio housing. (Figure A)
2. Attach the factory hazard button to the 7802 radio panel using the factory screws. (Figure B)



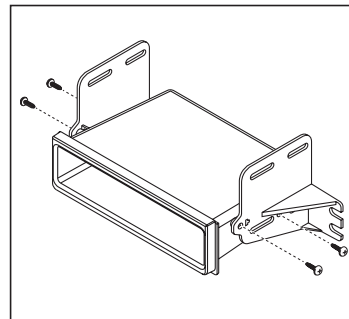
(Figure A)



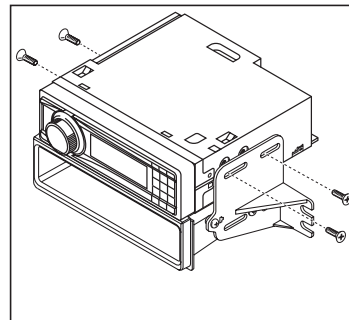
(Figure B)

ISO DIN head unit provisions

1. Mount the pocket to the radio brackets with the (4) #8 x 3/8" Phillips screws supplied. (Figure A)
2. Slide the head unit into radio brackets and secure with screws supplied with the unit. (Figure B)
3. Locate the factory wiring harness and antenna plug in the dash. Metra recommends using the proper mating adapters from Metra and/or AXXESS.
4. Mount the new radio assembly into the dash and reassemble dash in reverse order of disassembly.



(Figure A)



(Figure B)



INSTALLATION INSTRUCTIONS FOR PART 99-7802CH

REV. 9/18/2012 INST99-7802CH



KNOWLEDGE IS POWER

Enhance your installation and fabrication skills by enrolling in the most recognized and respected mobile electronics school in our industry. Log onto www.installerinstitute.com or call 800-354-6782 for more information and take steps toward a better tomorrow.



**Metra recommends MECP
certified technicians**